

HCS Series 1201-30

Link Soft HAPPY Link

Attached "Link Soft" allows you to operate most of the Machine function from PC.



MEMORY CARD SLOT

The Happy HCS machine reads Flash memory cards for easy design transfer. An exclusive adapter that allows you to use many popular types of flash memory cards.

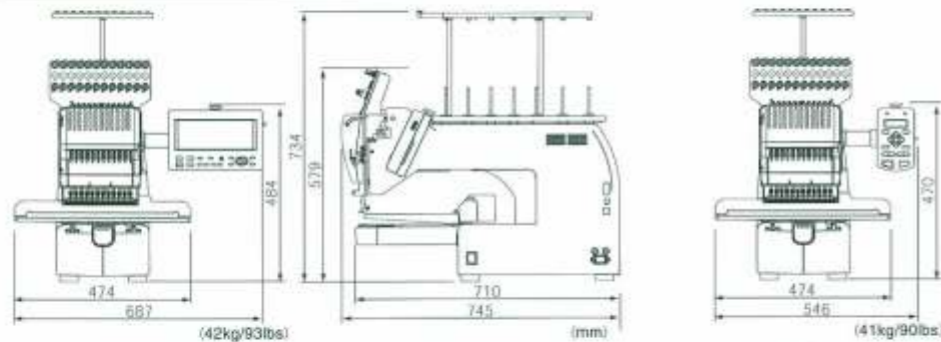


STANDARD FEATURES AND FUNCTIONS

- HAPPY LINK SOFTWARE
- ROTARY TYPE THREAD SENSORS
- PORT FOR PC CONNECTION: USB AND SERIAL (INCLUDES CABLE)
- SAFETY COVER WITH SENSOR
- AUTOMATIC THREAD TRIMMERS
- AUTOMATIC COLOR CHANGE
- BUILT IN MEMORY CARD SLOT (PC-ATA-STANDARDS)
- BUILT IN BOBBIN WINDER
- MACHINE MEMORY 250,000 STITCHES
- FRAME TRACE FUNCTION
- FRAME OFFSET
- FRAME OUT
- AUTO ORIGIN
- STITCH SWEEPER FUNCTION

SPECIFICATIONS

| MODEL | HEAD | EMBROIDERY AREA | | NEEDLE | SPEED (rpm) | | MEMORY (stitch) | POWER SUPPLY | FREQUENCY | WEIGHT |
|-------------|------|-----------------------------|------------------------|--------|-------------|---------|-----------------|---------------------------------------|-----------|---------------|
| | | TUBULAR FRAME | CAP (SEMIWIDE) | | TUBULAR | CAP | | | | |
| HCS-1201-30 | 1 | 290×290mm 11.4×11.4 inch | 70×180mm 2.8×7 inch | 12 | 300-1000 | 300-750 | 250,000 | 1PHASE AC100-120V or AC200-230V | 50/60Hz | 42kg 93lbs |



HCS 1201-30
Color LCD control panel type



HCS 1201-30
STANDARD control panel type

NOTE

- SEWING AREA IN THE SPECIFICATION LIST SHOWS MAXIMUM MOVING DISTANCE BUT ACTUAL SEWING MAY BE LIMITED BY HOOPS TO BE USED.
- SPECIFICATIONS ARE SUBJECT TO CHANGE WITHOUT NOTICE.
- MAXIMUM MACHINE SPEED MAY CHANGE BY SEWING CONDITION.

Manufactured by :

HAPPY Industrial Corporation

TOKYO OFFICE 9-5, Taito 2-chome Taito-ku, Tokyo, Japan
phone: +81-3-3834-0711 fax: +81-3-3835-8917
E-mail: emb-info@happy-ind.co.jp

Distributed by :



HCS Series 1201-30

Computerized Compact Single Head Embroidery Machine

ULTIMATE EMBROIDERY MACHINE
ULTRA LIGHT / ULTRA COMPACT
ULTRA FAST / ULTRA EASY OPERATION

HAPPY Industrial Corporation

JAPAN



ULTIMATE EMBROIDERY MACHINE "HCS 1201-30"

Built with the same principles and superior craftsmanship Happy is known for, the new Happy Compact will finally fill the gap between home and commercial embroiderers! Capable of sewing on all types of finished goods including hats, the new Happy Compact knows no limits!

COMPACT!
FAST!
EASY OPERATE!
LIGHTWEIGHT!

Color LCD Control Panel (OPTION)

Easy and no-nonsense controls, make the HCD-series a snap to learn. Because the faster you learn, the sooner you can be productive!



Color LCD

Standard LAN Connection

Simple to operate and based on standard LAN connection systems this feature lets your HAPPY machines work together in any combination without any expensive, additional hardware!



SAFETY COVER

If the cover is opened during operating, a sensor detects it's opening and the machine automatically stops to avoid danger.



NARROW CYLINDER ARM

Happy's Narrow cylinder arm allows embroidery in tight areas, such as cuffs or pockets. The small diameter of the arm fits in areas normal machine's can't sew.

ROTARY THREAD BREAK DETECT SENSOR

The rotary thread break sensor monitors each thread and automatically stops machine when the thread has broken or the bobbin is empty.



BUILT IN BOBBIN WINDER

The machine is equipped with a bobbin winding device. (Independent bobbin winding motor system)



Thread adjusting spring

Happy's thread adjusting spring provides smooth upper thread supply and high quality embroidery even at high speed.



Pat.Pend.

HCS Series 1201-30

Computerized Compact Single Head Embroidery Machine
Made in Japan

CAP FRAME (OPTION)

With Happy's optional cap sewing attachment quality embroidery on finished caps is now possible. A feature normally found only in commercial models, Happy's HCS cap sewing system attaches to the machine with ease bringing finished cap embroidery to you in a home machine.

